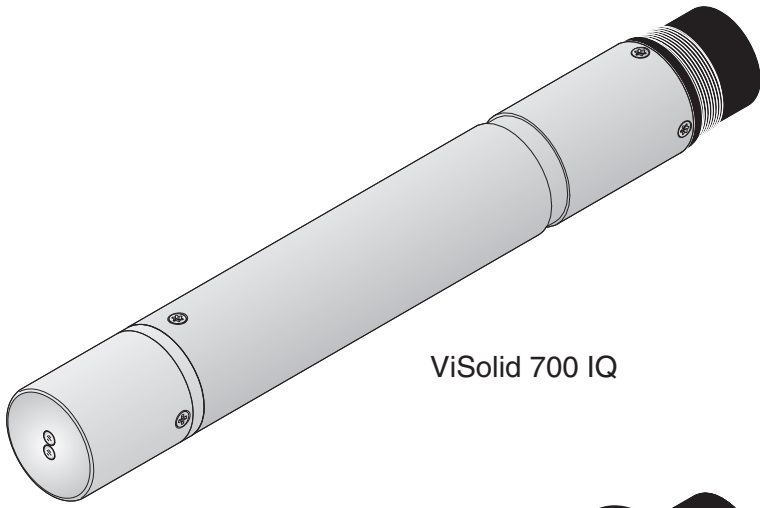
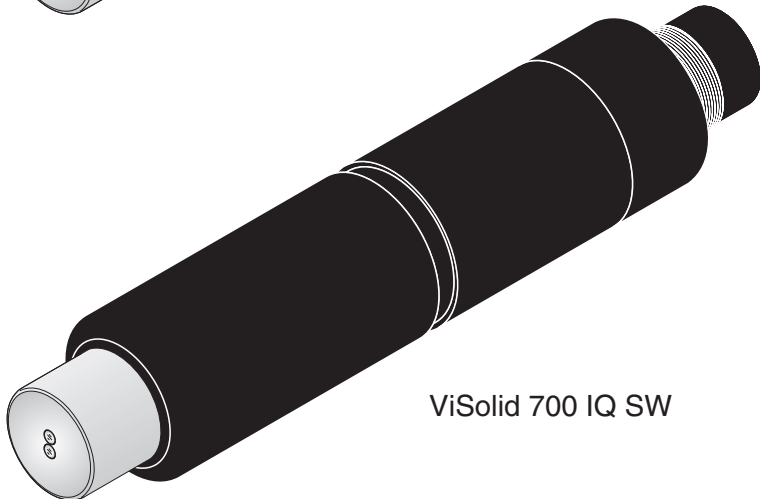


OPERATING MANUAL

ba57302e07 04/2015



ViSolid 700 IQ



ViSolid 700 IQ SW

ViSolid[®] 700 IQ (SW)

IQ SENSOR NET TOTAL SUSPENDED SOLIDS SENSOR



a xylem brand

ViSolid® 700 IQ (SW) - Contents

1	Overview	2-1
1.1	How to use this component operating manual	2-1
1.2	Structure of the ViSolid® 700 IQ (SW) total suspended solids sensor	2-2
1.3	Recommended fields of application	2-2
1.4	Features of the ViSolid® 700 IQ (SW)	2-3
2	Safety instructions	3-1
2.1	Authorized use	3-2
2.2	General safety instructions	3-2
3	Commissioning	4-1
3.1	Scope of delivery	4-1
3.2	Installation	4-1
3.2.1	General information	4-1
3.2.2	Flow direction	4-2
3.2.3	Sensor angle	4-2
3.2.4	Sensor orientation	4-3
3.2.5	Distances from the ground and wall	4-4
3.3	Installation examples	4-5
3.3.1	Measurement in an open pool or channel	4-5
3.3.2	Measurement in pipelines	4-7
3.4	Commissioning / Readiness for measuring	4-10
3.4.1	Connect the sensor	4-10
3.4.2	Selecting the <i>Measuring mode</i>	4-12
3.4.3	Setting tableViSolid® 700 IQ (SW)	4-13
4	Measuring	5-1
4.1	Measuring operation	5-1
4.2	Calibration for TSS measurement	5-2
4.2.1	General information	5-2
4.2.2	<i>Default calibration</i>	5-3
4.2.3	<i>Correction factor</i>	5-5
4.2.4	<i>User calibration</i>	5-7
5	Maintenance, cleaning, accessories	6-1
5.1	General information	6-1
5.2	Cleaning the sensor shaft and measurement windows	6-1
5.3	Accessories	6-3

6	What to do if ...	7-1
7	Technical data	8-1
7.1	Measuring characteristics	8-1
7.2	Application characteristics	8-2
7.3	General data	8-3
7.4	Electrical data	8-4
8	Indexes	9-1
8.1	Explanation of the messages	9-1
8.1.1	Error messages	9-1
8.1.2	Info messages	9-2
8.2	Status info	9-3
9	Appendix	10-1
9.1	Check calibration values	10-1

1 Overview

1.1 How to use this component operating manual

Structure of the IQ SENSOR NET operating manual

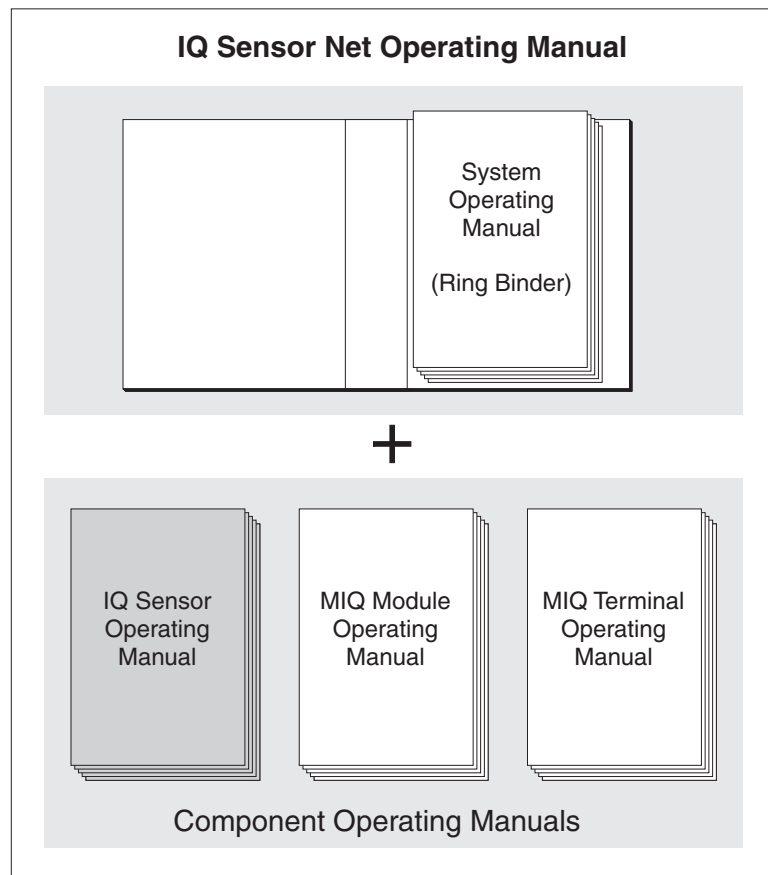


Fig. 1-1 Structure of the IQ SENSOR NET operating manual

The IQ SENSOR NET operating manual has a modular structure like the IQ SENSOR NET system itself. It consists of a system operating manual and the operating manuals of all the components used.

Please file this component operating manual into the ring binder of the system operating manual.

1.2 Structure of the ViSolid® 700 IQ (SW) total suspended solids sensor

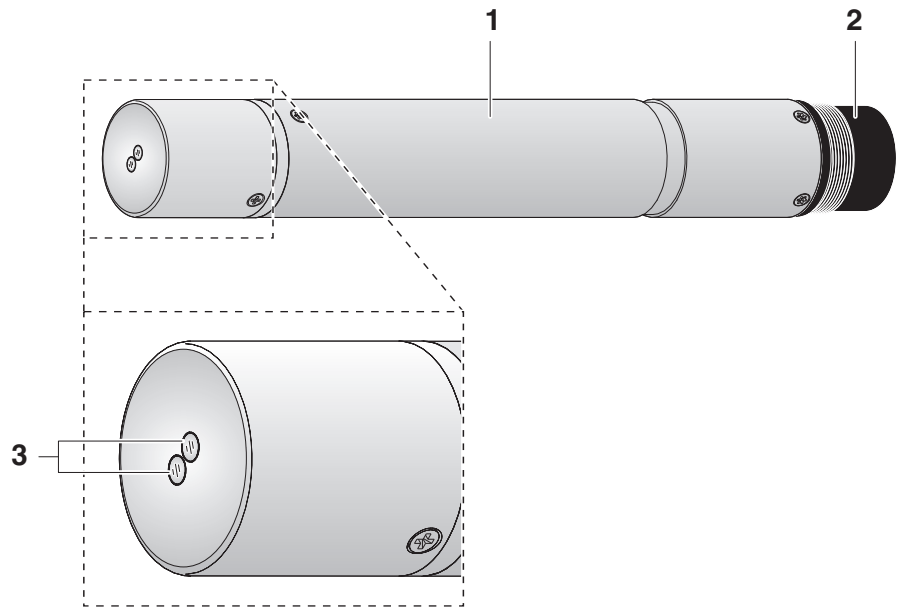


Fig. 1-2 Structure of the total suspended solids sensor (example: ViSolid® 700 IQ)

1	Shaft
2	Connection head
3	Optical measurement window made of sapphire

1.3 Recommended fields of application

ViSolid® 700 IQ

Stationary measurement of the total suspended solids in slurries and in water/wastewater applications.

ViSolid® 700 IQ SW

Stationary measurements in seawater and brackish water, aquaculture.

The ViSolid® 700 IQ (SW) is particularly well suited for applications in polluted measuring media, e.g. in wastewater treatment plants, thanks to its robust construction and its efficient ultrasound cleaning system. It provides very high measurement accuracy with low maintenance costs.

1.4 Features of the ViSolid® 700 IQ (SW)

Total suspended solids measurement

The measurement of the total suspended solids in aqueous media with the ViSolid® 700 IQ (SW) is carried out as a scattered light measurement. This records the suspended proportion of total suspended solids (TSS).

Ultrasound cleaning system

The ultrasound cleaning system ensures low maintenance and long-term reliable measurement operation. The ultrasound source integrated in the sensor excites the front face containing the measurement windows to oscillations in the ultrasound range. The resulting movement of the surface prevents the growth of pollution right from the start and, thus, ensures reliable measured values during continuous operation.

AutoRange function

Within the enormously large measuring range (0 - 300 g/l SiO₂ and 0 - 1000 g/l TSS depending on the measured material), the AutoRange function selects the optimum resolution for the respective measured value.

SensCheck function

This monitoring function that is integrated in the sensor is used to continually check the sensor function and to register any malfunctions caused by the measuring medium. The correct operation of the ultrasound cleaning system is also continuously monitored.

2 Safety instructions

This component operating manual contains special instructions that must be followed in the operation of the total suspended solids sensor ViSolid® 700 IQ (SW). Thus, it is essential to read this component operating manual before carrying out any work using this sensor. In addition to this manual, the SAFETY chapter of the IQ SENSOR NET system operating manual must be followed.

Always keep this component operating manual together with the system operating manual and any other component operating manuals in the vicinity of the IQ SENSOR NET system.

Special user qualifications

The total suspended solids sensor was developed for applications in online measurement - essentially in wastewater treatment plant applications. Thus, we assume that the operators are familiar with the necessary precautions to take when dealing with chemicals as a result of their professional training and experience.

General safety instructions

Safety instructions in this operating manual are indicated by the warning symbol (triangle) in the left column. The signal word (e.g. "CAUTION") indicates the danger level:



WARNING

indicates instructions that must be followed precisely in order to prevent serious dangers to personnel.



CAUTION

indicates instructions that must be followed precisely in order to avoid slight injuries to personnel or damage to the instrument or the environment.

Other labels



Note

indicates notes that draw your attention to special features.



Note

indicates cross-references to other documents, e.g. operating manuals.

2.1 Authorized use

The authorized use of the ViSolid® 700 IQ (SW) consists of its use as a total suspended solids sensor in the IQ SENSOR NET. Please observe the technical specifications according to chapter 7 TECHNICAL DATA. Only operation according to the instructions given in this operating manual is considered to be authorized.

Any other use is considered to be **unauthorized**. Unauthorized use invalidates any claims with regard to the guarantee.



CAUTION

The sensor warms up during operation in the air. Consequently, pollution can collect in the vicinity of the measurement window due to the evaporation of liquid. Therefore, avoid any lengthy operation in the air.



CAUTION

Only connect and operate the sensor together with IQ Sensor Net accessories.

2.2 General safety instructions

The sensor left the factory in a safe and secure technical condition.

The smooth functioning and operational safety of the sensor can only be guaranteed if the generally applicable safety measures and the specific safety instructions in this operating manual are followed during operation.

The failure-free function and operational safety of the sensor is only guaranteed under the environmental conditions that are specified in chapter 7 TECHNICAL DATA.

The specified temperature (chapter 7 TECHNICAL DATA) must be maintained during the operation and transport of the sensor.



CAUTION

The sensor may only be opened by specialists authorized by WTW.

Function and operational safety

Safe operation

If safe operation is no longer possible, the sensor must be taken out of operation and secured against inadvertent operation.

Safe operation is no longer possible if the sensor:

- has been damaged in transport
- has been stored under adverse conditions for a lengthy period of time
- is visibly damaged
- no longer operates as described in this manual.

If you are in any doubt, contact the supplier of your sensor.

Obligations of the operator

The operator of the sensor must ensure that the following rules and regulations are followed when dealing with hazardous substances:

- EEC directives for protective labor legislation
- National protective labor legislation
- Safety regulations
- Safety data sheets of the chemical manufacturer.

3 Commissioning

3.1 Scope of delivery

- Total suspended solids sensor, ViSolid® 700 IQ (SW)
- Operating manual

3.2 Installation

3.2.1 General information

The measuring principle of the ViSolid® 700 IQ (SW) (scattered light measurement) places specific requirements on the measurement location and on the installation of the sensor.

If there is a low level of total suspended solids (< 2 g/l SiO₂ or < 1 g/l TSS), infrared light penetrates deep into the sample. Thus, the measuring environment can have a significant effect on the measured value displayed. Light that is reflected or scattered by the ground or wall can strike the detector in the sensor and, thus, simulate an increased level of total suspended solids.

Scattered light can be kept away from the measurement windows to a great extent by favorable positioning of the sensor. Therefore, an optimum installation position is particularly important for the measurement of lower values of total suspended solids.



Note

Always maintain a distance of at least 10 cm from the ground and wall.

The following factors affect the measurement of the TSS contents:

- Inclination of the sensor (see section 3.2.3)
- Sensor orientation around its longitudinal axis (see section 3.2.4)
- Distances from the ground and wall (see section 3.2.5)
- Light-colored, heavily light-scattering surfaces in the measuring vessel (e.g. vessel inner surfaces) or in the measuring environment.
- Unfavorable geometry of the measuring vessel or unfavorable positioning of the sensor in the measuring vessel.
- Spatial proximity of two optical sensors.
- Very bright ambient light at the measuring location, e.g. direct sunlight in the open channel

3.2.2 Flow direction

Generally, in flowing media, the measurement window should be clearly pitched towards the flow (angle of incidence approx. 20 to 45 °).

Exception: If there is a high proportion of foreign bodies with fibrous or flat profiles such as, e.g. hair, twines or foliage, it can be advantageous to tilt the sensor in the direction of flow so that the measurement window is turned away from the flow.

3.2.3 Sensor angle

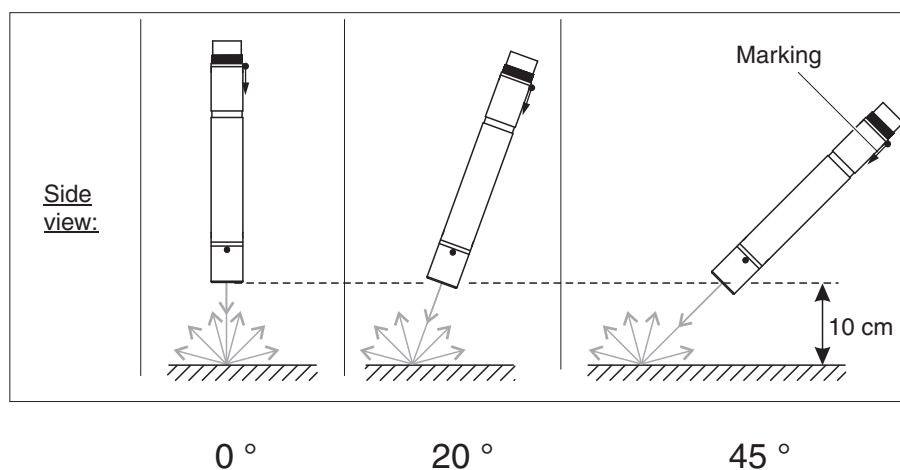


Fig. 3-1 Effect of the sensor angle on scattering and reflection from the ground and wall



Note

Scattering and reflection are lowest at a sensor angle of 45° and at a minimum distance of 10 cm to the ground and walls (see section 3.2.5).

3.2.4 Sensor orientation

The sensor has a marking (arrow symbol on the shaft or glue dot on connection head). The infrared beam emerges from the front of the sensor at a small angle in the direction opposite the marking.

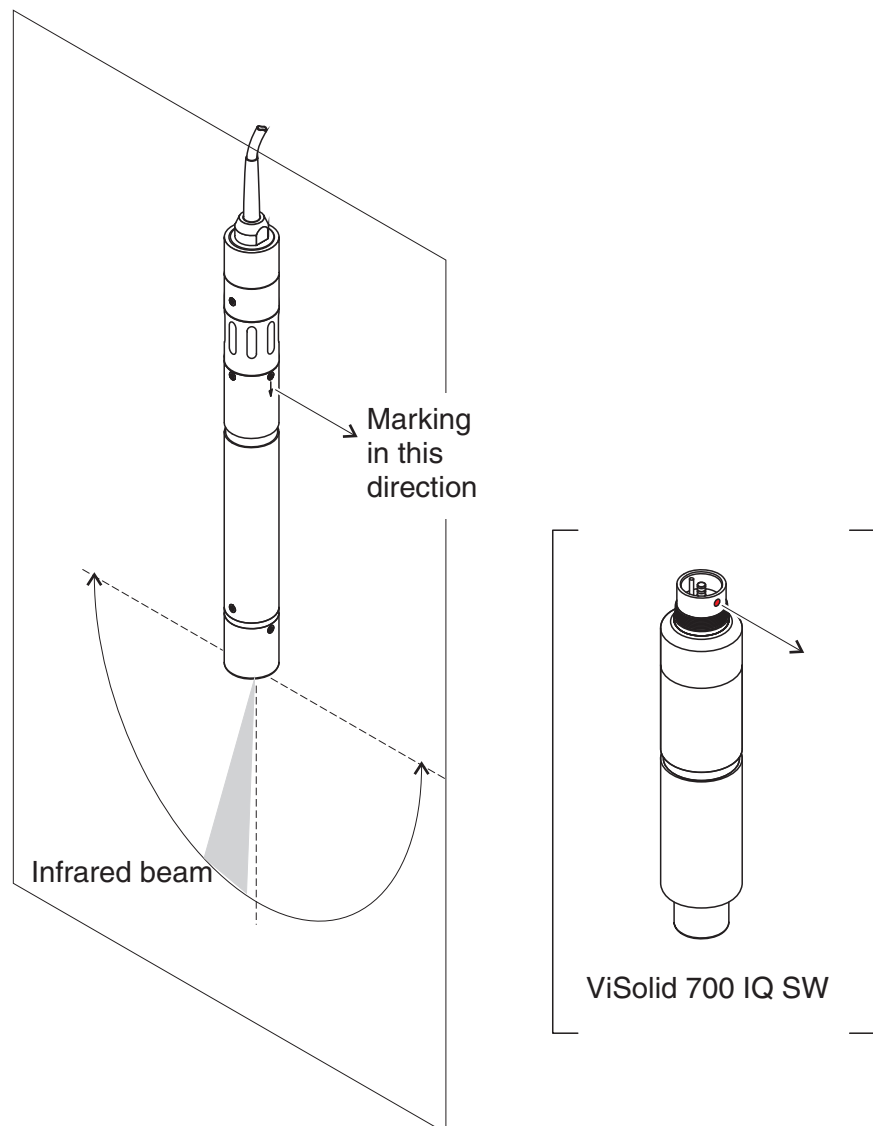


Fig. 3-2 Direction of the infrared beam relative to the marking

The angle of incidence to the ground and walls can be affected by rotating the sensor around its longitudinal axis. The sensor should be turned so that as little light as possible that is scattered or reflected by the wall or ground strikes the measurement window again.

3.2.5 Distances from the ground and wall



Note

If there is a low level of total suspended solids (< 2 g/l SiO₂ or < 1 g/l TSS), the effects of the measurement environment can simulate a higher content of total suspended solids. The effect of the measurement environment can be reduced by ensuring the optimum conditions (see section 3.2.1).

The following graphic indicates the minimum distances of the measurement windows to the ground or wall, which must be observed. The effect of the distances on the measured value has been determined for various wall materials (aluminum, black plastic) in the case of a sensor placed vertically to the wall in drinking water or water with 1 g/l SiO₂.

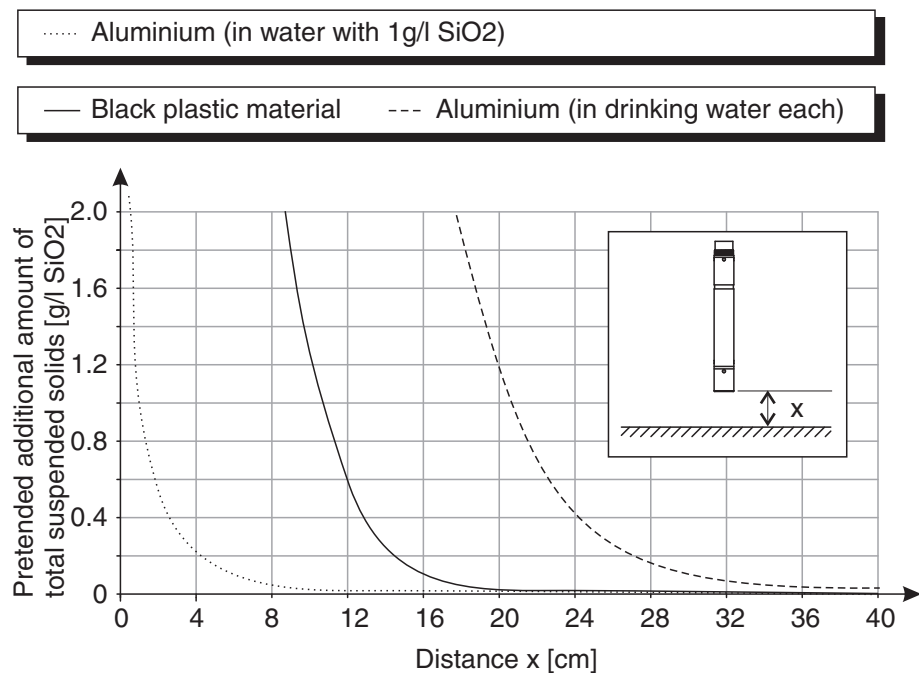


Fig. 3-3 Effect of ground and wall distances on the measurement of TSS



Note

At low levels of total suspended solids, a minimum distance of at least 10 cm must be kept from the ground or wall.



Note

If an optimum installation is not possible due to the structural conditions at the measuring location (e.g. in narrow pipelines), the effects of the measurement environment can be compensated by user calibration (see section 4.2.4).

3.3 Installation examples

As a rule, the ViSolid® 700 IQ (SW) will measure interference-free when the distances and angles etc. specified are observed. However, interferences at the measuring location (see section 3.2.1) may require special adaptations of the installation.

3.3.1 Measurement in an open pool or channel

Measurement in a pool

The total suspended solids sensor can be suspended in the pool on a chain (e.g. with EH/F 170 swing mounting assembly and EH/U 170 sensor holder). Make sure the sensor cannot bump against any walls or obstacles.

Alternatively, the sensor can be immersed in the sample using a pendulum mounting assembly, e.g. EH/P 170 pendulum mounting assembly, (please note the minimum immersion depth).

Measurement in a channel

In an open channel, the sensor can be immersed in the sample using a wall mounting assembly, e.g. EH/W 170 wall mounting assembly, (please note the minimum immersion depth).

Mount the sensor rigidly in the channel. At the same time, tilt the sensor approx. 45 ° against the direction of the flow.

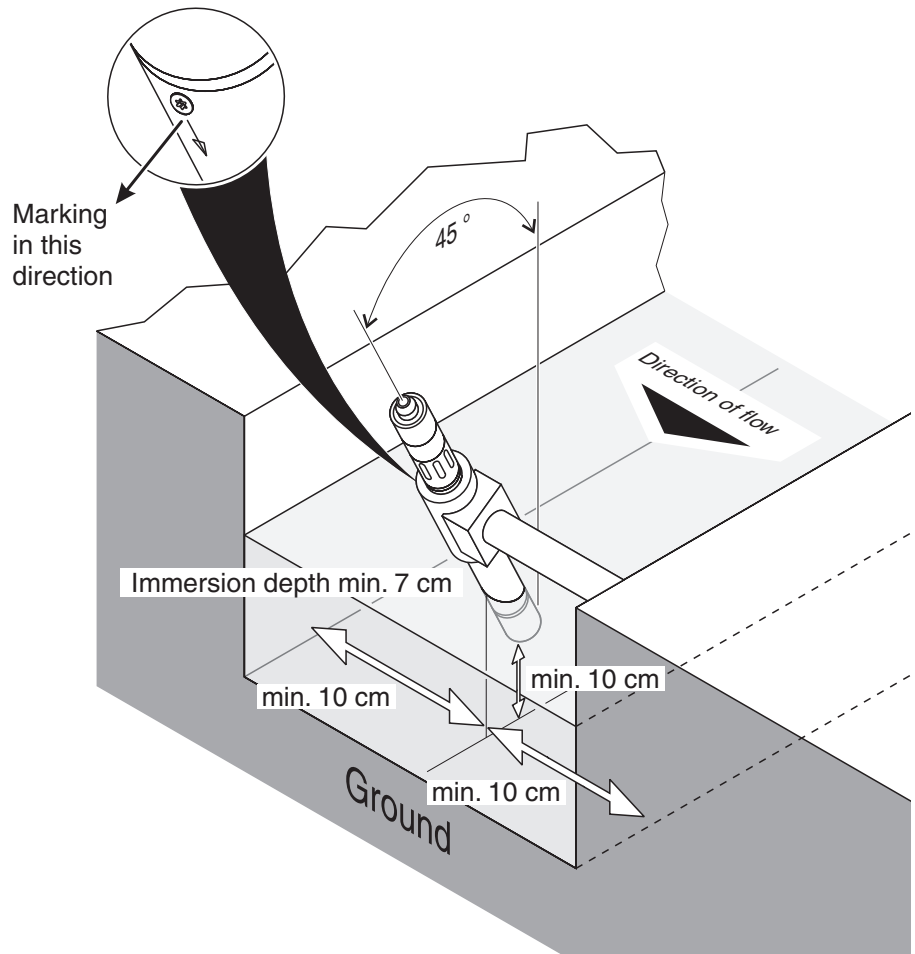


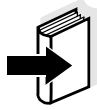
Fig. 3-4 Total suspended solids sensor in an open channel with wall mounting assembly, EH/W 170



Note

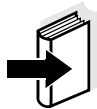
For exceptions to the direction of flow, see section 3.2.2 FLOW DIRECTION.

3.3.2 Measurement in pipelines



Note

If there is a low level of total suspended solids (< 2 g/l SiO₂ or < 1 g/l TSS), the effects of the measurement environment can simulate a higher content of total suspended solids. The effect of the measurement environment can be reduced by ensuring the optimum conditions (see section 3.2.1).



Note

If an optimum installation is not possible due to the structural conditions at the measuring location (e.g. in narrow pipelines), the effects of the measurement environment can be compensated by user calibration (see section 4.2.4).

If deposits occur on the pipe walls, the calibration should be repeated at regular intervals.

Example: 45 ° pipe installation

The pipe should be straight for a length of approx. 25 cm beyond the installation location. Angled or tapered pipes can cause interference effects in the case of low levels of total suspended solids.

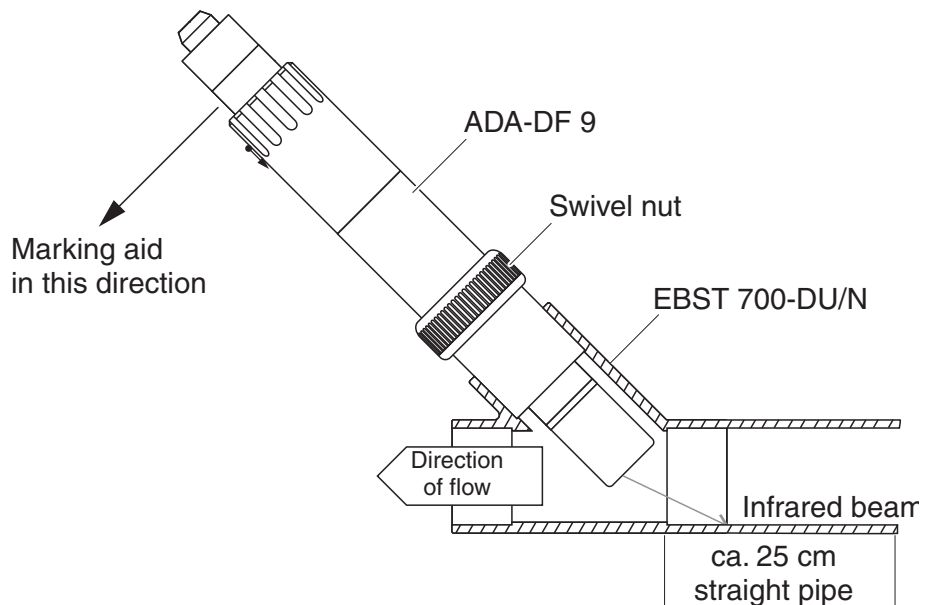


Fig. 3-5 Total suspended solids sensor in the pipe with EBST 700-DU/N flow-thru adapter

Fig. 3-5 shows the installation of the EBST 700-DU/N flow-thru adapter for installation in a pipeline (DN 50). The infrared beam points in the opposite direction to the direction of flow. The marking on the sensor points towards the pipeline (see Fig. 3-5).

**Note**

For exceptions to the direction of flow, see section 3.2.2 FLOW DIRECTION.

**Example:
90 ° pipe installation**

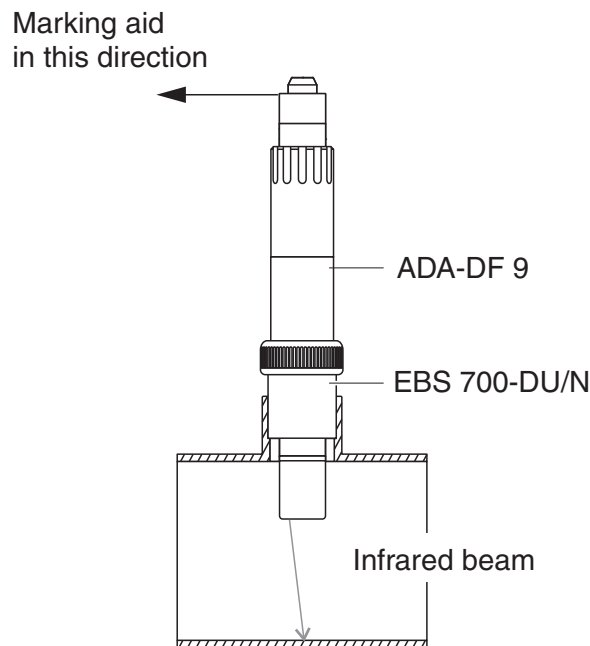


Fig. 3-6 Total suspended solids sensor in a pipe (90 °)

The following points must be observed for a right-angled installation in the pipe (Fig. 3-6):

- Rotate the sensor so that the marking on the sensor points in the direction of the pipe axis
- Select a position where the pipe diameter is as large as possible at the installation location (see section 3.2.5 DISTANCES FROM THE GROUND AND WALL).



Note

In a 90° pipe installation with low levels of total suspended solids (< 2 g/l SiO₂ or < 1 g/l TSS), the effects of the measurement environment can have a particularly significant effect on the measured value. Ensure the optimum conditions of the measurement environment (see section 3.2.1).

Marking aid

1	Connect the SACIQ (SW) sensor connection cable to the plug head connector of the sensor and screw it tight (see section 3.4.1).
2	Attach a marking aid (adhesive strips or similar) in the same position as the marking on the sensor to the plug head connector.

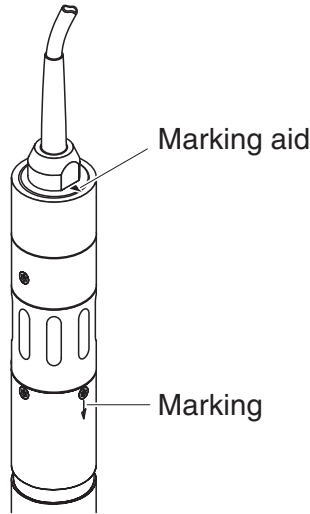


Fig. 3-7 Marking aid

- 3 Install the sensor in the flow-thru adapter with the aid of the ADA-DF 9 adapter (see operating manual of the adapter). To ensure the correct position, loosen the coupling ring on the EBST 700-DU/N somewhat and align the marking aid as shown in Fig. 3-5. Then, tighten the coupling ring.

3.4 Commissioning / Readiness for measuring

3.4.1 Connect the sensor

Connection cable

A sensor connection cable of the SACIQ or SACIQ SW type is required to connect the sensor. The cable is available in different lengths. Compared to the standard model SACIQ, the SACIQ SW sensor connection cable is optimized regarding its corrosion resistance in seawater and brackish water and adapted for use in conjunction with the ViSolid® 700 IQ SW. Information on this and other IQ SENSOR NET accessories is given in the WTW catalog and on the Internet.



Are the plug connections dry?

Note

How to connect the SACIQ (SW) sensor connection cable to the terminal strip of an MIQ module is described in chapter 3 INSTALLATION of the IQ SENSOR NET system operating manual.

Before connecting the sensor and sensor connection cable, please make sure that the plug connections are dry. If moisture gets into the plug connections, first dry the plug connections (dab them dry or blow them dry using compressed air).

**Note**

Do not suspend the sensor on the sensor connection cable. Use a sensor holder or an armature. Information on this and other IQ SENSOR NET accessories is given in the WTW catalog and on the Internet.

**Connecting the sensor
to the sensor
connection cable**

4	Take the protective caps off the plug connections of the sensor and the SACIQ sensor connection cable, and keep them safe.
5	Plug the socket of the SACIQ (SW) sensor connection cable onto the plug head connector of the sensor. At the same time, rotate the socket so that the pin in the plug head connector (1) clicks into one of the two holes in the jack.
6	Then screw the coupling ring (2) of the sensor connection cable onto the sensor up to the stop.

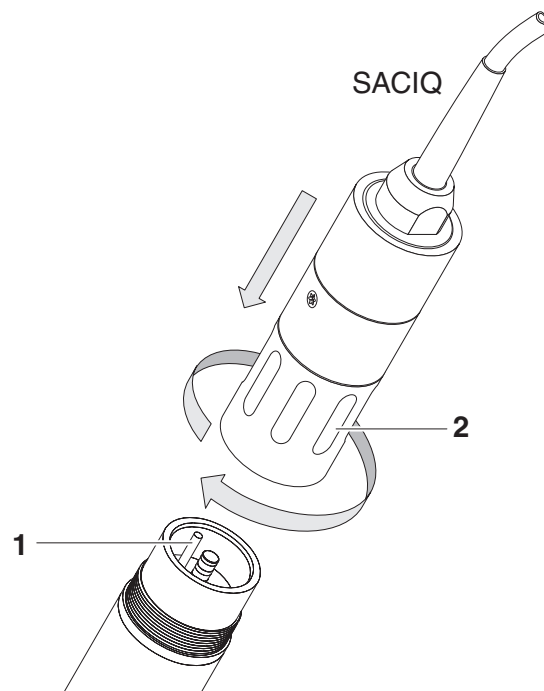


Fig. 3-8 Connect the sensor

3.4.2 Selecting the *Measuring mode*

Specify the following data in the *Measuring mode* setting

- Matrix type (1 or 2)
- Display (TSS or SiO2)
- Unit (g/l or %)

Determining the matrix type

Determine the matrix type for your application with the aid of the following table:

Measurement in g/l TSS (total suspended solids)

Measuring medium:	Matrix type 1	Matrix type 2
Outflow of preclarification	X	
Activated slurry	X	
Return slurry	X	
Primary slurry		X
Sediment slurry		X
Concentrated slurry		X

Measurement in g/l SiO2 (silicon dioxide)

Measuring medium:	Matrix type 1	Matrix type 2
SiO2 content: 0 ... 25 g/l	X	
SiO2 content: 15 ... 300 g/l		X



Note

If the matrix type for a measuring medium cannot be determined using this table, select matrix type 1 and then carry out a user calibration (see section 4.2.4). If the graph of the value pairs corresponds to one of the forms 1 to 3 (see section 4.2.4), matrix type 1 is suitable. If the graph of the value pairs corresponds to form 4, matrix type 2 must be selected.

Factory settings

Measuring mode: *Matrix type1:g/l TSS*
 Measuring range: *AutoRange*

3.4.3 Setting table ViSolid® 700 IQ (SW)

Setting	Selection/values	Explanation
<i>Measuring mode</i> (see section 3.4.2)	<ul style="list-style-type: none"> ● <i>Matrix type1:g/l TSS</i> ● <i>Matrix type1:% TSS</i> ● <i>Matrix type2:g/l TSS</i> ● <i>Matrix type2:% TSS</i> ● <i>Matrix type1:g/l SiO₂</i> ● <i>Matrix type1:% SiO₂</i> ● <i>Matrix type2:g/l SiO₂</i> ● <i>Matrix type2:% SiO₂</i> 	<ul style="list-style-type: none"> – Content of total suspended solids in g/l – Content of total suspended solids in % – Content of total suspended solids in g/l – Content of total suspended solids in % – Content of SiO₂ in g/l – Content of SiO₂ in % – Content of SiO₂ in g/l – Content of SiO₂ in %
<i>Signal averaging</i>	1 ... 600 secs	Response time of the signal filter. Depending on the sample matrix, the measured values may oscillate more or less (e.g. due to foreign bodies or air bubbles). The signal filter reduces the limits of variation of the measured value. The signal filter is characterized by the signal averaging time. This is the time after which 90 % of a signal change is displayed.
<i>Ultrasonic cleaning</i>	<i>On / On</i> <i>Off / On</i> <i>Pulse / On</i> <i>On / Off</i> <i>Off / Off</i> <i>Pulse / Off</i>	Switches on or off the ultrasound cleaning and SenseCheck functions (<i>Pulse</i> = pulse operation).
<i>Save and quit</i>		The system confirms the saving of the settings and the display switches to the next higher level.
<i>Quit</i>		The display switches to the next higher level without saving the new settings.
TSS measuring mode: <i>Calibration data</i>	<ul style="list-style-type: none"> ● <i>Default calibration</i> ● <i>User calibration</i> 	<p>The factory calibration data for TSS are used (see section 4.2.2).</p> <p>User entered calibration data are used (see section 4.2.4).</p>
TSS measuring mode: <i>Correction factor</i>	0.50 ... 2.00	The <i>Correction factor</i> setting enables a simple calibration (see section 4.2.3).

Setting	Selection/values	Explanation
TSS measuring mode: <i>Menu selection:</i> <i>User calibration</i>	<ul style="list-style-type: none"> ● <i>Basic settings</i> ● <i>Value pairs 1..3</i> ● <i>Value pairs 4..6</i> ● <i>Value pairs 7..8</i> 	<p>Selection between the use of the basic settings and the entry of calibration value pairs.</p> <p>For the selection of the value pairs, fields open for the entry of the values <i>TSS value 1</i> to <i>TSS value 8</i>, and the individual values <i>SiO2 value 1</i> to <i>SiO2 value 8</i>.</p> <p>Starting with <i>TSS value 1</i>, determine and enter the content of total suspended solids in g/l TSS, and, in the case of <i>SiO2 value 1</i>, enter the related measured SiO2 value.</p> <p>The input precision is 0.001 g/l in each case.</p> <p><u>Note:</u> The values must be entered in descending order. If this sequence is not kept to, a calibration error is displayed after leaving the menu. All the entered values become invalid.</p>
TSS measuring mode: <i>Measuring ranges</i>	<ul style="list-style-type: none"> ● <i>0 ... 400.0 mg/l</i> ● <i>0 ... 4000 mg/l</i> ● <i>0 ... 25.00 g/l</i> 	Measuring range for the measuring mode <i>Matrix type1:g/l TSS</i>
The setting <i>AutoRange</i> = automatic changeover of the measuring range can be selected in all measuring modes.	<ul style="list-style-type: none"> ● <i>0 ... 400.0 ppm</i> ● <i>0 ... 4000 ppm</i> ● <i>0 ... 2.500 %</i> 	Measuring ranges for the <i>Matrix type1:% TSS</i> measuring mode
	<ul style="list-style-type: none"> ● <i>0 ... 4000 mg/l</i> ● <i>0 ... 40.00 g/l</i> ● <i>0 ... 400.0 g/l</i> ● <i>0 ... 1000 g/l</i> 	Measuring ranges for the <i>Matrix type2:g/l TSS</i> measuring mode
	<ul style="list-style-type: none"> ● <i>0 ... 4000 ppm</i> ● <i>0 ... 4.000 %</i> ● <i>0 ... 40.00 %</i> ● <i>0 ... 100.0 %</i> 	Measuring ranges for the <i>Matrix type2:% TSS</i> measuring mode

Setting	Selection/values	Explanation
Measuring mode SiO ₂ : <i>Measuring ranges</i>	<ul style="list-style-type: none"> ● 0 ... 400.0 mg/l ● 0 ... 4000 mg/l ● 0 ... 25.00 g/l 	Measuring ranges for the <i>Matrixtype1:g/l SiO₂ measuring mode</i>
The setting <i>AutoRange</i> = automatic changeover of the measuring range can be selected in all measuring modes.	<ul style="list-style-type: none"> ● 0 ... 400.0 ppm ● 0 ... 4000 ppm ● 0 ... 2.500 % 	Measuring ranges for the <i>Matrix type1:% SiO₂ measuring mode</i>
	<ul style="list-style-type: none"> ● 0 ... 4000 mg/l ● 0 ... 40.00 g/l ● 0 ... 300.0 g/l 	Measuring ranges for the <i>Matrixtype2:g/l SiO₂ measuring mode</i>
	<ul style="list-style-type: none"> ● 0 ... 4000 ppm ● 0 ... 4.000 % ● 0 ... 30.00 % 	Measuring ranges for the <i>Matrix type2:% SiO₂ measuring mode</i>

Carrying out settings

Switch to the main settings menu from the measured value display with **<S>**. Then navigate to the setting menu (setting table) of the sensor. The exact procedure is described in the relevant IQ SENSOR NET system operating manual.

4 Measuring

The ViSolid® 700 IQ (SW) measures the light scattered and reflected by the total suspended solids in the measuring medium. The level of total suspended solids that corresponds to the amount of light measured is displayed. As different suspended solids scatter and reflect light in different ways, the display of a suspended solid contents in g/l must be referred to a standard. A factory calibration to SiO₂ is stored in the sensor.

4.1 Measuring operation

1	Immerse the sensor in the measuring medium.
2	Read the measured value on the terminal of the IQ SENSOR NET system.

**Note**

Large temperature differences between the sensor and measuring medium can falsify the measurement result. Thus, as a precaution during commissioning, wait for 15 minutes before using the measured value.

**Note**

The allowed temperature of the measuring medium is 0 ... 60 °C. The ultrasound cleaning system automatically switches off if the temperature of the measuring medium increases to more than 60 °C. When the temperature drops below 60 °C, it switches itself on again. Switching off at temperatures above 60 °C prevents any overheating, for example if the minimum immersion depth of the sensor is not maintained.

4.2 Calibration for TSS measurement

4.2.1 General information

Why calibrate?

The following factors can change with time and affect the measurement results:

- the optical characteristics, e.g. color and particle size, and the density of the measuring medium (e.g. dependent on the season)
- the conditions at the measuring location (e.g. due to growing deposits on the ground and walls)

The effect of the measurement environment can be reduced by ensuring the optimum conditions (see section 3.2.1) and can be compensated by a user calibration (see section 4.2.4).

When to calibrate?

A new calibration is required if there is any change of the characteristics of the measuring medium or any change of the environment at the measuring location.



Note

Calibration data that are entered are stored in the controller and, thus, assigned to the measuring location (and not the sensor). Thus, if the sensor is replaced, no new calibration is required.

How is a calibration carried out?

The actual level of total suspended solids of your measuring medium is determined by a reference measurement (e.g. gravimetric according to DIN 38414).

If the reference measurements do not deviate from the optically determined level of total dissolved solids of the ViSolid® 700 IQ (SW), the sensor is already optimally adapted to the measuring situation.

If the reference measurements deviate from the optically determined level of total dissolved solids of the ViSolid® 700 IQ (SW), a calibration is required.

The following calibration options are available:

- Calibration by adapting the *Correction factor* setting if the values displayed with *Default calibration* deviate from the actual values by a specific factor
- Performance of a *User calibration* if the values displayed with *Default calibration* and *Correction factor* no longer agree with the actual values

4.2.2 Default calibration

Default calibration for matrix type 1

The factory calibration curve for matrix type 1 was determined by measurements of typical activated and return slurries and can be used for similar applications after adaptation of the *Correction factor* setting (see section 4.2.3).



Note

Below the smallest value, the calibration curves are extended to the zero point and, above the largest value, they are extended to the end of the measuring range.

Value pairs	1	2	3	4	5	6	7	8	9	10
Total suspended solids [g/l] TSS	17.57	15.55	11.62	8.80	6.21	4.42	3.39	2.40	0.77	0.25
SiO ₂ value [1 g/l] SiO ₂	7.16	7.05	6.52	5.85	4.86	3.91	3.22	2.60	1.37	0.61

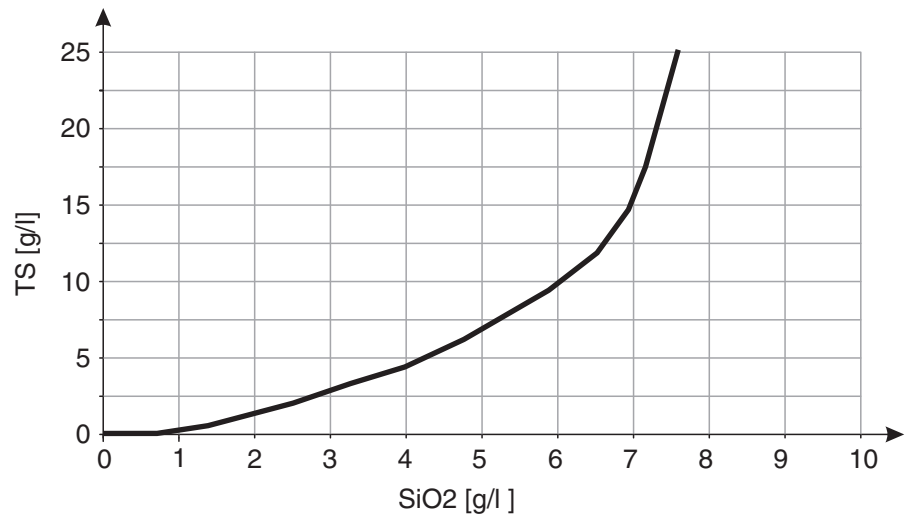


Fig. 4-1 Default calibration for matrix type 1

Default calibration for matrix type 2

The factory calibration curve for matrix type 2 was determined by measurements of typical decaying slurries and can be used for similar applications after adaptation of the *Correction factor* setting (see section 4.2.3).

Value pairs	1	2	3	4	5	6	7	8	9	10
Total suspended solids [1 g/l] TSS	100	59.40	32.00	20.70	14.90	9.97	5.26	2.37	1.48	0.41
SiO2 value [1 g/l] SiO2	7.62	7.16	6.26	5.60	5.00	4.28	3.19	1.73	1.13	0.32

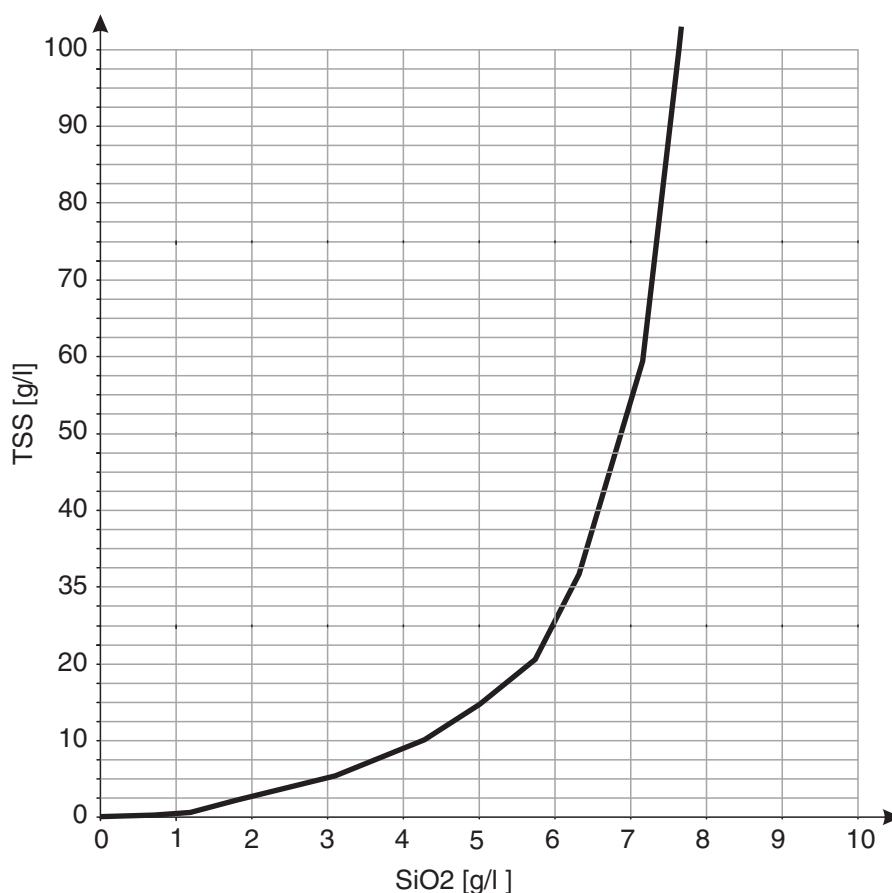


Fig. 4-2 Default calibration for matrix type 2

Influences

If there is a low level of total suspended solids (< 2 g/l SiO2 or < 1 g/l TSS), the effects of the measurement environment can simulate a higher content of total suspended solids. The effect of the measurement environment is minimized by exactly observing the installation position (see section 3.2.1).

If an optimum installation is not possible due to the structural conditions at the measuring location (e. g. in narrow pipelines), interference effects can be compensated by a *User calibration* (see section 4.2.4).

4.2.3 Correction factor

The setting of the *Correction factor* provides a simple option for adapting the calibration to the current conditions.

With the *Correction factor* setting you correct the measured value and have it indicated on the display.

A change of the *Correction factor* setting is practical if the measured values of the ViSolid® 700 IQ (SW) are generally too high or too low in comparison to reference measurements by a specific factor.

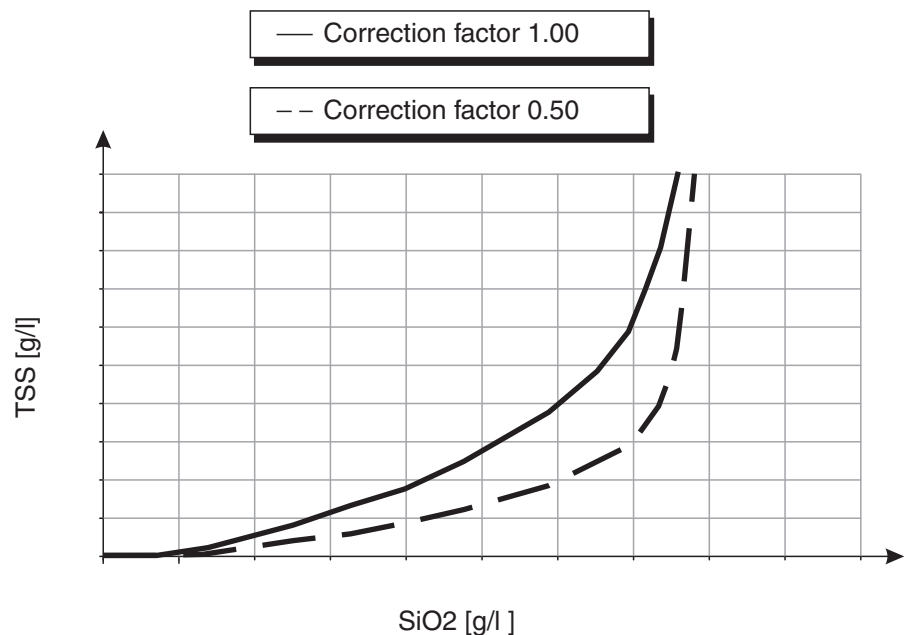


Fig. 4-3 Effect of the Correction factor on the displayed measured value

The *Correction factor* is calculated using the following formula:

$$F_N = F_A * S_R / S_V$$

Variable	Explanations
F_N	Correction factor, to be recalculated
F_A	Correction factor, currently set in the <i>Calibration data</i> menu
S_R	TSS value, newly determined from reference measurement
S_V	TSS value, newly determined from measurement with ViSolid® 700 IQ (SW)

**Determining the
Correction factor**

1	Bring the sensor into the measuring position.
2	In the setting table of the TSS sensor, note down the currently set <i>Correction factor</i> as the value for F_A .
3	Switch to the measured value display with <M>.
4	When the measured value is stable, read the TSS value, convert it into the unit (g/l) if necessary, and note it down as the value for S_V .
5	Take a sample as close to the same time as the TSS measurement as possible and as close to the sensor as possible.
6	Determine the level of total suspended solids of the sample according to a reference procedure (e. g. gravimetric according DIN 38414), convert it into the unit (g/l) if necessary, and note it down as the value for S_R .
7	Calculate the <i>Correction factor</i> . $F_N = F_A * S_R / S_V$

Setting the *Correction factor*

8	Set the new <i>Correction factor</i> in the <i>Calibration data</i> menu (see section 3.4.3).
---	---

**Note**

The *Correction factor* setting affects each TSS measuring mode and all calibration data. Also, if there is a change of the measuring mode or calibration data, the *Correction factor* is retained.

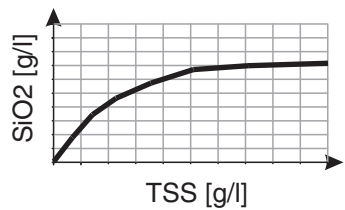
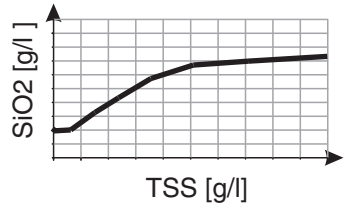
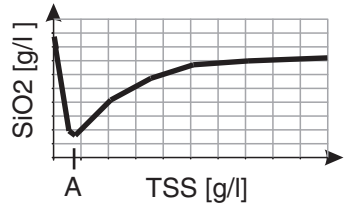
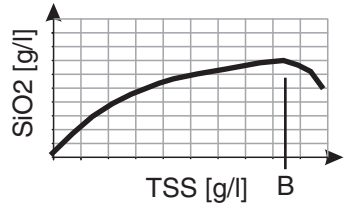
Therefore, after every change of the settings in the *Calibration data* menu, check the *Correction factor*.

4.2.4 User calibration

The displayed values of total suspended solids are calculated with the aid of the stored calibration data. In the g/l TSS measuring mode, the value g/l SiO₂ marked with "#" is displayed as the secondary measured value.

The determination of the calibration value pairs is carried out by reference measurements according to an independent procedure. At the point of time of the calibration, the measuring medium should be in a state representative of the later measurement (type and amount of total suspended solids, coloration, etc.). The results from the calibration are manually entered in the setting table of the ViSolid® 700 IQ (SW).

Effect of the measurement environment on the graph of the value pairs TSS (laboratory) - SiO₂ (ViSolid® 700 IQ (SW))

Graphs of the value pairs	Explanations
	<p>Form 1: The graph has a gradient > 0 at every point. A calibration is possible for the whole range.</p>
	<p>Form 2: The graph has a gradient > 0 at every point. At very low levels of TSS, the effect of the measurement environment leads to slightly increased values of SiO₂. A calibration is possible for the whole range.</p>
	<p>Form 3: The graph has a gradient < 0 in the range of smaller levels of TSS. The effect of the measurement environment leads to greatly increased values of SiO₂ in the range of smaller TSS below the point (A). A calibration is only possible in the range TSS > A.</p>
	<p>Form 4: The graph has a gradient < 0 in the range of greater levels of total suspended solids. A calibration for matrix type 1 is only possible in the range of TSS < B. For measurements in the range of TSS > B, select matrix type 2.</p>

**Note**

A measurement of the total suspended solids will deliver ever more accurate measurement results the closer the composition of the measuring medium corresponds to the status at the time of the calibration. If there is a fundamental change of the characteristics of the sample, a new calibration may be necessary.

Procedure of the calibration

1	Bring the sensor into the measuring position.
2	In the setting table of the TSS sensor, select the g/l TSS measuring mode and the <i>AutoRange</i> measuring range (see section 3.4.3).
3	Switch to the measured value display with <M>.
4	When the measured value is stable, read the SiO ₂ value (marked with "#"), convert it into the unit (g/l) if necessary, and note it down.
5	Take a sample as close to the same time as the SiO ₂ measurement as possible and as close to the sensor as possible.
6	Determine the level of total suspended solids of the sample according to a reference procedure (e.g. gravimetric according to DIN 38414) and note it down together with the measured value of SiO ₂ as the TSS/SiO ₂ value pair in g/l.

**Note**

At least one value pair and a maximum of eight value pairs can be entered for a valid calibration. Keeping to the descending order of values is very important. Not keeping to the order will result in a calibration error.

7	For a multi-point calibration: Repeat the determination of the value pair for various concentrations of the sample.
---	--

**Note**

Samples of different concentrations of total suspended solids can be obtained from the sample taken by:

- diluting it with water
- depositing the total suspended solids and decanting off the remaining water

Before measuring the samples, make sure that the total suspended solids are actually in suspension.

- | | |
|---|--|
| 8 | Sort the value pairs in descending order and, if necessary, enter them in a table and diagram (see chapter 9). |
|---|--|

**Note**

Below the smallest value, the calibration curve is extended to the zero point and, above the largest value, it is extended to the end of the measuring range.

- | | |
|----|--|
| 9 | <p>Check the form of the calibration curve.
If the calibration curve corresponds to form 3,</p> <ul style="list-style-type: none"> ● change the conditions at the measuring location and determine the calibration values again or ● do not carry out any measurements in the range below the turning point (A). |
| 10 | <p>In measuring mode with matrix type 1:
If individual calibration values lie outside the measuring range,</p> <ul style="list-style-type: none"> ● change the conditions at the measuring location and determine the calibration values again or ● select measuring mode for matrix type 2 |

**Note**

The entry of calibration values that exceed the measuring range leads to a calibration error. The size of the measuring range is dependent on the selected measuring mode (matrix type) (see section 3.4.3).

Entering the *Calibration data*

- | | |
|----|--|
| 11 | Switch to the setting table of the TSS sensor. |
| 12 | Change to the <i>Calibration data</i> menu with <▲▼◀▶> and <OK>. |
| 13 | Select the <i>User calibration</i> menu item with <▲▼◀▶> and <OK>. |
| 14 | Select the <i>Menu selection</i> menu item with <▲▼◀▶> and <OK>. |
| 15 | Select the <i>Value pairs 1..3</i> menu item with <▲▼◀▶> and <OK>. |

**Note**

For examples of valid value pair data, see section 4.2.2. A maximum of 8 value pairs can be entered for the *User calibration*.

16	Select the <i>TSS value 1</i> menu item with <▲▼◀▶> and <OK>.
17	Enter the value for the contents of total suspended solids (TSS in g/l) from the reference measurement with <▲▼◀▶> and <OK>.
18	Select the <i>SiO2 value 1</i> menu item with <▲▼◀▶> and <OK>.
19	Enter the associated SiO2 value (SiO2 in g/l) measured with the ViSolid® 700 IQ (SW) with <▲▼◀▶> and <OK>.
20	Repeat steps 13 - 18 until the required number of value pairs (between 1 and 8) has been entered.
21	Terminate the entry of the calibration data with <i>Save and quit</i> .



Note

To simplify the settings when entering the calibration data, standardized high resolutions of 0.001 g/l are possible. However, it is not sensible to use these in all cases.

The calibration data entered are evaluated by the system. The entry of the calibration value pairs can have the following results:

Results after entry of Calibration data

Possible displays	Log book entries (meaning/actions)
Measured value display	Successful new valid calibration value pairs were entered for the sensor.
"----"	Calibration value pairs not accepted. Sensor blocked for measurement. <ul style="list-style-type: none"> - Enter the values again making sure that they are entered in descending order - Viewing the log book entry.



Note

Information on the contents and structure of the log book and how you can call it up is given in the LOG BOOK chapter of the IQ SENSOR NET system operating manual.

5 Maintenance, cleaning, accessories

5.1 General information



WARNING

Contact with the sample can be dangerous for the user! Depending on the type of sample, suitable protective measures must be taken (protective clothing, protective goggles, etc.).

The ViSolid® 700 IQ (SW) sensor does not usually require any maintenance. The continuously running ultrasound system prevents the accumulation of pollution right from the start.



Note

If the sensor remains in the sample for any length of time when the system is not operating, we recommend to clean the shaft and measurement windows.

5.2 Cleaning the sensor shaft and measurement windows

During normal operation (e.g. municipal wastewater), cleaning is recommended:

- if there is any pollution (according to visual check)
- if the sensor was not in operation for a lengthy period of time but was immersed in the measuring medium
- if the measured values are suspected of being incorrect (usually too low)
- if the SensCheck message appears in the log book (when using samples of matrix type 1)
- for regular cleaning (when using samples of matrix type 2)
- if there is any suspicion that the measurement window is polluted, e.g. by dried on dirt during operation in the open air

Cleaning agents

Contamination

Cleaning agents

Sludge and loosely adhering dirt or biological films

Soft cloth or soft brush, warm tap water with detergent

Salt and / or lime deposits

Acetic acid (volume percentage = 20 %), soft cloth or soft sponge



CAUTION

Acetic acid irritates the eyes and the skin. When handling acetic acid, always wear protective gloves and protective goggles.

**Note**

We do not recommend unscrewing the sensor from the sensor connection cable when cleaning the sensor shaft and measurement window. Otherwise, moisture and/or dirt can get into the plug connection where it can cause contact problems.

If you need to disconnect the sensor from the sensor connection cable, please note the following points:

- Before disconnecting the sensor from the SACIQ (SW) sensor connection cable, remove any larger pieces of contamination from the sensor, particularly in the area of the plug connection (brush it off in a bucket of tap water, wash it off with a hose or wipe it off with a cloth).
- Unscrew the sensor from the SACIQ (SW) sensor connection cable.
- Always place a protective cap on the plug head of the sensor and on the SACIQ (SW) sensor connection cable so that no moisture or dirt can get into the contacting surfaces. It is included in the standard scope of delivery of the SACIQ SW sensor connection cable.
- In corrosive environments, close the socket of the sensor connection cable with the screwable SACIQ-Plug when it is dry in order to protect the electrical contacts from corrosion. The protective plug is available as an accessory (see section 5.3 ACCESSORIES).

**CAUTION**

The sensor warms up during operation in the air. Consequently, pollution can collect in the vicinity of the measurement window due to the evaporation of liquid. Therefore, avoid any lengthy operation in the air.

Cleaning

1	Pull the sensor out of the sample.
2	Remove any coarse pollution from the sensor (by brushing it off in a bucket of tapwater, spraying it off with a hose or wiping with a cloth).
3	Clean the sensor shaft and the measurement window as described in the section CLEANING AGENTS.
4	Then, rinse it thoroughly with tap water.

5.3 Accessories

Description	Model	Order no.
Screwable plug for sensor connection cable	SACIQ-Plug	480 065

**Note**

Information on other IQ SENSOR NET accessories is given in the WTW catalog and on the Internet.

6 What to do if ...

Mechanical damage to the sensor

Cause

Remedy

- Return the sensor

Display always shows "0"

Cause

Remedy

- First calibration value pair incomplete

- Enter the TSS value for the first calibration value pair

TSS display does not correspond to the TSS value according to the laboratory determination

Cause

Remedy

- Correction factor incorrectly set

- Set up the correction factor again: Correction factor = TSS value (laboratory) / TSS value (display)

Display of OFL

Cause

Remedy

- Measuring range exceeded
- First calibration value pair incomplete
- Two identical SiO₂ values entered one after the other

- See log book
- Enter the SiO₂ value for the first calibration value pair
- Enter the value pairs in descending order

Display of "----"

Cause

Remedy

- Measured value invalid
- Incorrect calibration value entered

- See log book
- Correct the calibration values and enter them again

Display of main parameter TSS: "----"
Secondary parameter SiO₂: "OFL"

Cause

Remedy

- The optical measuring range for SiO₂ is exceeded. The display of a valid TSS measured value is not possible.

- See log book (message code EA6243, see section 8.1.1)

**Measured value
fluctuating heavily**

Cause	Remedy
– There are bubbles of gas in the medium in front of the measurement windows	– Check the installation position of the sensor (see section 3.2 and section 3.3)
– Signal averaging time too short for low values of total suspended solids	– Increase signal averaging time
– Inhomogeneous measuring medium	

Measured values too low

Cause	Remedy
– Measurement window dirty	– Clean the measurement window (see section 5.2)

**Measured values too
high**

Cause	Remedy
– There are bubbles of gas in the medium in front of the measurement windows	– Check the installation position of the sensor (see section 3.2 and section 3.3)
– Light scattering on the walls	– Check the installation position of the sensor (see section 3.2 and section 3.3) – If necessary, compensate for any effects that cannot be cleared by calibration
– Measurement window dirty	– Clean the measurement window (see section 5.2)

7 Technical data

7.1 Measuring characteristics

Measuring principle

Procedure for measuring scattered light.

Measurement in following units:

- g/l TSS (total suspended solids)
- % TSS (total suspended solids)
- g/l SiO₂
- % SiO₂

Measuring ranges and resolutions

Measured parameter	Measuring ranges	Resolution
g/l TSS	<i>0 ... 400.0 mg/l</i>	0.1 mg/l
	<i>0 ... 4000 mg/l</i>	1 mg/l
	<i>0 ... 25.00 g/l</i>	0,01 g/l
	<i>0 ... 40.00 g/l</i>	0,01 g/l
	<i>0 ... 400.0 g/l</i>	0,1 g/l
	<i>0 ... 1000 g/l</i>	1 g/l
% TSS	<i>0 ... 400.0 ppm</i>	0.1 ppm
	<i>0 ... 4000 ppm</i>	1 ppm
	<i>0 ... 2.500 %</i>	0.001 %
	<i>0 ... 4.000 %</i>	0.001 %
	<i>0 ... 40.00 %</i>	0.01%
	<i>0 ... 100.0 %</i>	0.1%
g/l SiO ₂	<i>0 ... 400.0 mg/l</i>	0.1 mg/l
	<i>0 ... 4000 mg/l</i>	1 mg/l
	<i>0 ... 25.00 g/l</i>	0,01 g/l
	<i>0 ... 40.00 g/l</i>	0,01 g/l
	<i>0 ... 300.0 g/l</i>	0,1 g/l
	% SiO ₂	<i>0 ... 400.0 ppm</i>
<i>0 ... 4000 ppm</i>		1 ppm
<i>0 ... 2.500 %</i>		0.001 %
<i>0 ... 4.000 %</i>		0.001 %
<i>0 ... 30.00 %</i>		0.01 %

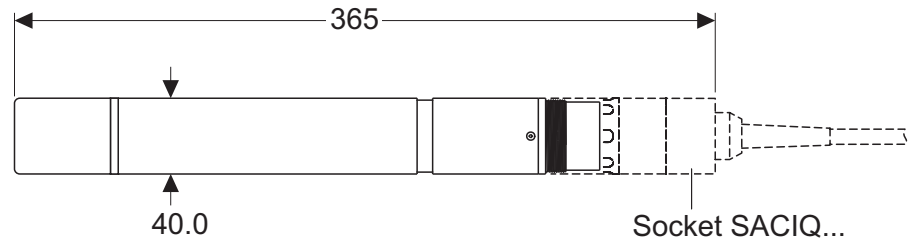
7.2 Application characteristics

Allowed temperature range	Measuring medium	0 °C ... + 60 °C (32 ... 140 °F)
	Storage/transport	- 5 °C ... + 65 °C (23 ... 149 °F)
Allowed pH range of the measuring medium	4 ... 12	
Pressure resistance	Sensor with connected SACIQ (SW) sensor connection cable:	
	Max. allowed overpressure	10 ⁶ Pa (10 bar)
	Max. allowed underpressure	temporarily 5 x 10 ⁴ Pa (0,5 bar)
	The sensor fulfills all requirements according to article 3(3) of the directive 97/23/EC ("pressure equipment directive").	
Type of protection	Sensor with connected SACIQ (SW) sensor connection cable: IP 68, 10 bar (10 ⁶ Pa)	
Depth of immersion	min. 10 cm; max. 100 m depth	
Operating position	see section 3.2 INSTALLATION	
Fields of application	Water and wastewater monitoring	

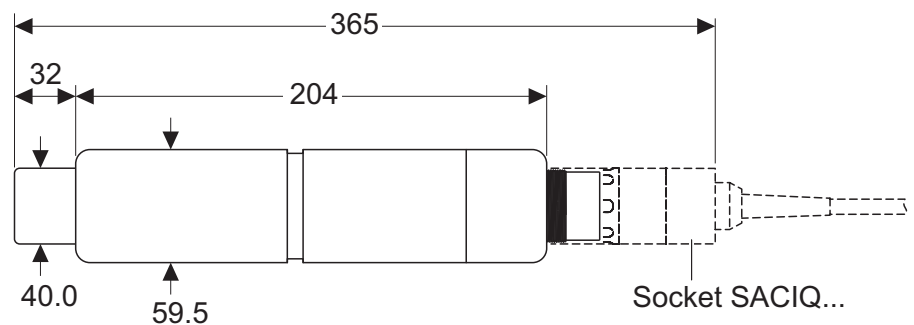
7.3 General data

Dimensions (in mm)

ViSolid 700 IQ:



ViSolid 700 IQ SW:



Weight (without sensor connection cable)

ViSolid® 700 IQ	approx. 990 g
-----------------	---------------

VisoTurb® 700 IQ SW	approx. 1420 g
---------------------	----------------

Connection technique

Connection using SACIQ (SW) sensor connection cable

Material

Shaft:

- | | |
|----------------------|------------------------------|
| – ViSolid® 700 IQ | V4A stainless steel 1.4571 * |
| – ViSolid® 700 IQ SW | POM |

Sensor head:

- | | |
|----------------------|------------------------------|
| – ViSolid® 700 IQ | V4A stainless steel 1.4571 * |
| – ViSolid® 700 IQ SW | Titanium |

Measurement window	Sapphire
--------------------	----------

Plug head connector housing	POM
-----------------------------	-----

Plug, 3-pole	ETFE (blue) Tefzel®
--------------	---------------------

* Stainless steel can be susceptible to corrosion at chloride concentrations of ≥ 500 mg/l and more. We recommend to use SW sensors for applications in such test solutions.

Material	Shaft	V4A stainless steel 1.4571 *
	Measurement window	Sapphire
	Plug head connector housing	POM
	Plug, 3-pole	ETFE (blue) Tefzel®

* Stainless steel can be susceptible to corrosion at chloride concentrations of ≥ 500 mg/l and more.

Cleaning system Ultrasound principle

- Automatic sensor monitoring (SensCheck function)**
- Identification of any measurement fault (in matrix type 1)
 - Identification of any failure of the cleaning system

Instrument safety	Applicable norms	<ul style="list-style-type: none"> – EN 61010-1 – UL 61010-1 – CAN/CSA C22.2#61010-1
--------------------------	------------------	---

7.4 Electrical data

Nominal voltage	max. 24 VDC via the IQ SENSOR NET (details see chapter TECHNICAL DATA of the IQ SENSOR NET system operating manual)
Power consumption	1.5 W
Protective class	III

8 Indexes

8.1 Explanation of the messages

This chapter contains a list of all the message codes and related message texts that can occur in the log book of the IQ SENSOR NET system for the ViSolid® 700 IQ (SW) sensor.



Note

Information on

- the contents and structure of the log book and
- the structure of the message code

is given in the LOG BOOK chapter of the IQ SENSOR NET system operating manual.



Note

All message codes of the ViSolid® 700 IQ (SW) end with the number "342".

8.1.1 Error messages

Message code

EA2342

Sensor temperature too high!
* Check process and application

EA3342

Sensor temperature too low!
* Check process and application

EA6342

Meas. range exceeded or undercut
* Check process
* Select other meas. range
* Submerge sensor in sample
* Select bubble-free spot for measurement
* Remove any foreign matter from sensor
* Avoid influence of large foreign matter
* Clean sensor
* Increase signal average time

EA7342

Ultrasound cleaning system switched off
* Check sample temperature
* Submerge sensor in sample

Message code	Message text
EC2342	<i>User calibration error, check TSS/SiO₂ pairs of variates * All TSS values within measuring range? (see operating manual) * At least one value pair entered? * All TSS and SiO₂ values entered? * All TSS/SiO₂ pairs in descending order? * Pair 1 = highest TSS and SiO₂ value?</i>
EI1342	<i>Operational voltage too low * Check installation and cable lengths, Follow installation instructions * Power unit(s) overloaded, add power unit(s) * Defective components, replace components</i>
EI2342	<i>Operational voltage too low, no operation possible * Check installation and cable lengths, Follow installation instructions * Power unit(s) overloaded, add power unit(s) * Check terminal and module connections * Defective components, replace components</i>
ES1342	<i>Component hardware defective * Contact service</i>
ESD342	<i>SensCheck: Measurement interfered * Submerge sensor in sample * Select bubble-free spot for measurement * Remove any foreign matter from sensor * Avoid influence of large foreign matter * Clean sensor * Increase signal average time</i>
ESE342	<i>SensCheck: Ultrasound cleaning system has failed * Return sensor for repair</i>

8.1.2 Info messages

Message code	Message text
IA1342	<i>Ultrasound cleaning system switched on * Check sensor visually * Clean sensor if necessary</i>

8.2 Status info

The status info is a piece of coded information about the current state of a sensor. Each sensor sends this status info to the controller. The status info of sensors consists of 32 bits, each of which can have the value 0 or 1.

Status info, general structure

0	1	2	3	4	5	6	7	8	9	10	11	12	13	14	15	
1 0 0 0 0 0 0 0								0 0 0 0 0 0 0 0								(general)
0 0 0 0 0 0 0 0								0 0 0 0 0 0 0 0								(internal)
16	17	18	19	20	21	22	23	24	25	26	27	28	29	30	31	

The bits 0 - 15 are reserved for general information.
The bits 16 - 21 are reserved for internal service information.

You obtain the status info:

- via a manual query in the menu, *Einstellungen/Setup/Service/List of all components* (see system operating manual)
- via an automated query
 - of a superordinate process control (e. g. when connected to the Profibus)
 - of the IQ Data Server (see operating manual of the IQ SENSOR NET software pack)



Note

The evaluation of the status info, e.g. in the case of an automated query, has to be made individually for each bit.

ViSolid® 700 IQ (SW)

Status info

Status bit	Explanation
Bit 0	<i>Component hardware defective</i>
Bit 1	<i>SensCheck: Measurement interfered</i>
Bit 2	<i>SensCheck: Ultrasound cleaning system has failed</i>
Bit 3-31	-

9 Appendix

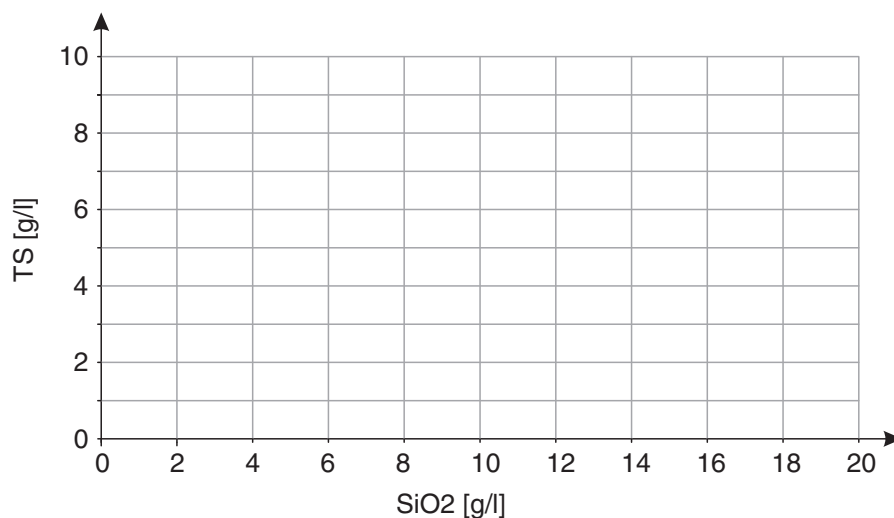
9.1 Check calibration values

By checking the value pairs, possible calibration errors can already be avoided before the entry of the calibration value pairs.

Carry out a check using the EC2342 message text:

- * All TSS values within measuring range?
(see operating manual)
- * At least one value pair entered?
- * All TSS and SiO₂ values entered?
- * All TSS/SiO₂ pairs in descending order?
- * Pair 1 = highest TSS and SiO₂ value?

Sequence	Max. value			->		Min. values		
	1	2	3	4	5	6	7	8
Value pairs								
Total suspended solids [g/l] TSS								
SiO ₂ value [g/l] SiO ₂								



Note

For examples of valid value pair data, see section 4.2.2.
The graph of the value pairs must not contain any turning point in the required measuring range (see section 4.2.4).

What can Xylem do for you?

We're a global team unified in a common purpose: creating innovative solutions to meet our world's water needs. Developing new technologies that will improve the way water is used, conserved, and re-used in the future is central to our work. We move, treat, analyze, and return water to the environment, and we help people use water efficiently, in their homes, buildings, factories and farms. In more than 150 countries, we have strong, long-standing relationships with customers who know us for our powerful combination of leading product brands and applications expertise, backed by a legacy of innovation.

For more information on how Xylem can help you, go to xyleminc.com.



Service address:

Xylem Analytics Germany
Sales GmbH & Co. KG
WTW
Dr.-Karl-Slevogt-Str. 1
82362 Weilheim
Germany

Tel.: +49 881 183-325
Fax: +49 881 183-414
E-Mail wtw.rma@xyleminc.com
Internet: www.WTW.com



Xylem Analytics Germany GmbH
Dr.-Karl-Slevogt-Str. 1
82362 Weilheim
Germany